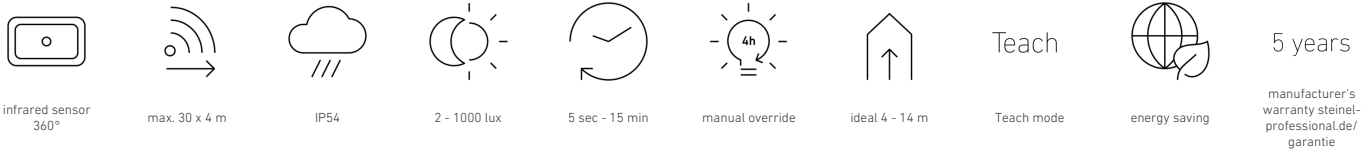


# IS 345 MX Highbay

DALI-2 APC - surface, sq.  
EAN 4007841 010591  
Article number 010591



## Function description

Surveillance on the highest level. Infrared motion detector IS 345 MX Highbay for indoors, ideal for large heights in depots, high-bay warehouses, machine shops, check-in areas and departure lounges, installation height 14 m, detection zone 30 x 4 m (radial), large terminal compartment for easy installation. Available as square surface-mounted and concealed version.

## Technical specifications

Dimensions (L x W x H)	65 x 95 x 95 mm	Optimum mounting height	12 m
Manufacturer's Warranty	5 years	Detection angle	Aisle, 360 °
Settings via	Remote control, Potentiometers, Smart Remote	Angle of aperture	90 °
With remote control	No	Sneak-by guard	Yes
Version	DALI-2 APC - surface, sq.	Capability of masking out individual segments	Yes
PU1, EAN	4007841010591	Electronic scalability	No
Type	Motion detectors	Mechanical scalability	No
Application, place	Indoors	Reach, radial	30 x 4 m (120 m <sup>2</sup> )
Application, room	high-bay warehouse, Indoors	Reach, tangential	30 x 4 m (120 m <sup>2</sup> )
Colour	white	Switching zones	280 switching zones
Colour, RAL	9003	Functions	Normal / test mode, Manual ON / ON-OFF, Constant-lighting control ON-OFF
Includes corner wall mount	No	Twilight setting	2 – 1000 lx
Installation site	ceiling	Time setting	5 s – 15 Min.
Installation	Surface wiring, Ceiling	Basic light level function	Yes
IP-rating	IP54	Basic light level function time	1-30 min, all night
Ambient temperature	from -20 up to 50 °C		

# IS 345 MX Highbay

DALI-2 APC - surface, sq.  
EAN 4007841 010591  
Article number 010591



## Technical specifications

Material	Plastic	Main light adjustable	50 - 100 %
Mains power supply	220 - 240 V / 50 - 60 Hz	Twilight setting TEACH	Yes
Steuerausgang, Dali	Broadcast 1x30 electronic ballasts	Constant-lighting control	Yes
Technology, sensors	passive infrared, Light sensor	Interconnection	Yes
Mounting height	4,00 - 16,00 m	Type of interconnection	Master/slave
Mounting height max.	16,00 m	Interconnection via	Cable
		Product category	Motion detector

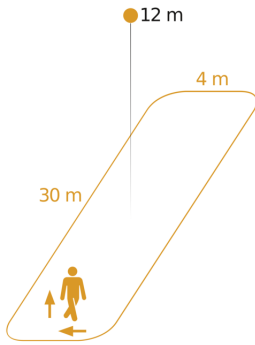
## Accessories

EAN 4007841 009151	Remote control Smart Remote
EAN 4007841 559410	Service remote control RC8
EAN 4007841 592806	User remote control RC5
EAN 4007841 056711	Black cover for IR-sensors

# IS 345 MX Highbay

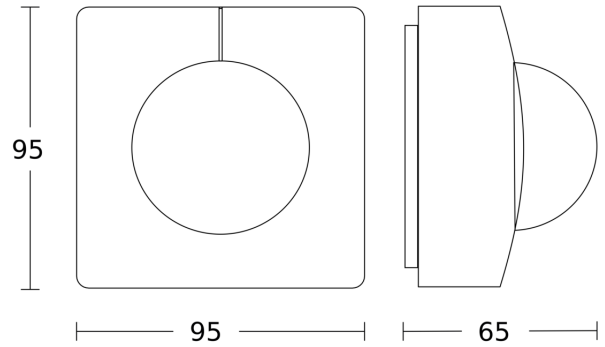
DALI-2 APC - surface, sq.  
 EAN 4007841 010591  
 Article number 010591

## Detection Zone

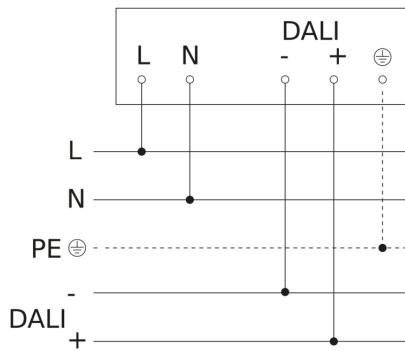


Possible mounting height: 4,00 m - 16,00 m  
 Orange: radial and tangential

## Dimension Drawing



## Master circuit diagram



## Circuit diagram for interconnecting DALI-2 APC with DALI-2 IPD

